

ANDERSON PULL

designed by Cutler Anderson Architects



REVEAL DESIGNS®

CABINET PULLS

ANDERSON PULL

designed by Cutler Anderson Architects



Image 1 (#601-5.5-32D)

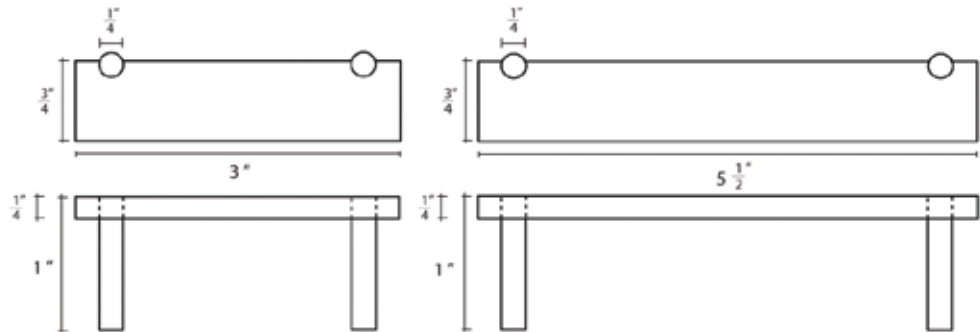
DESIGN AND FUNCTION

- Installed either vertically or horizontally
- Concealed screws
- Available in 3" and 5 1/2" sizes
- Handcrafted in U.S.A.



Image 2 (#601-3-32D)

DIMENSIONS AND FIGURES



Product No. 601-3

Product No. 601-5.5



Image 3 (#601-5.5-10B)

AVAILABLE IN

All Stainless Steel (Images 1-2)

Oil Rubbed Bronze / Stainless Steel Shafts (Images 3-4)

All Stainless Steel components made from 304 Stainless Steel

All Oil Rubbed Bronze components produced from a silicon bronze base with a live finish

Custom Metals and Sizes Available Upon Request



Image 4 (#601-3-10B)

products@reveal-designs.com

www.reveal-designs.com

914 220 0277



REVEAL DESIGNS®

CABINET PULLS